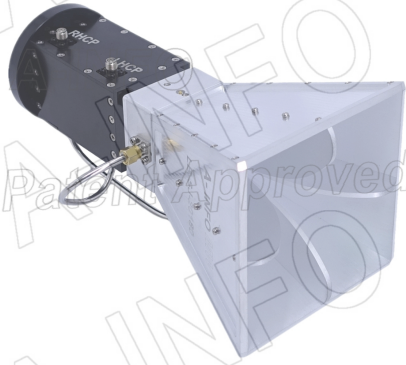


For reference only. See data sheet for the detailed specifications.

Technical Specification

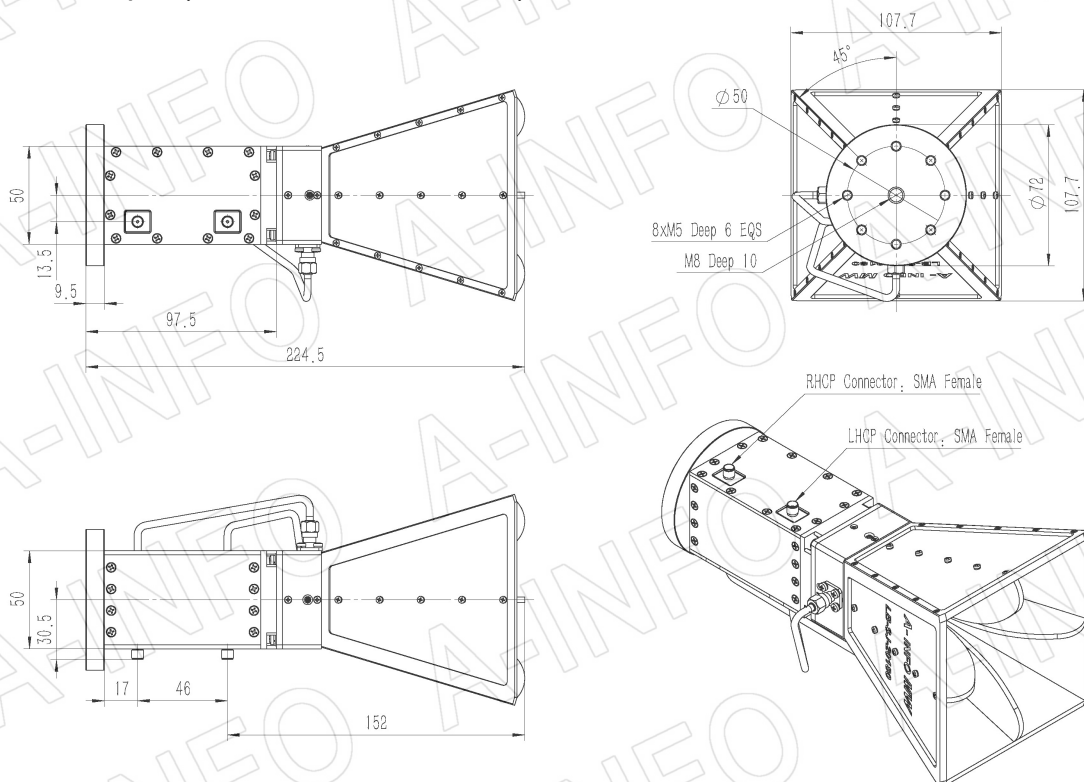


Frequency Range(GHz)	2.0 – 18.0
Gain(dBic)	11 Typ.
Polarization	Dual Circular
Axial Ratio(dB)	2.0 Typ.
	3.0 Max.
3dB Beamwidth(deg)	E Plane: 82 - 23
	H Plane: 81 - 22
Port to Port Isolation(dB)	15 Typ.
VSWR	2.0:1 Max.
Connector	SMA-Female
Power Handling(W CW)	20 Max.
Material	Al
Finish	Chemical Conversion Coating and Anodizing
Size(mm)	107.7 x 107.7 x 224.5
Net Weight(Kg)	0.80 Around

PATENT ID (US)
US 11139578
PATENT ID (China)
ZL201822143668.8, ZL201822143669.2, ZL201630458384.1, ZL202130737800.2

Outline Drawing (Size: mm)

SMA-Female Output (P/N: LB-SJ-20180-P03)


AINFO Inc.

 China(Beijing):
 China(Chengdu):
 USA :

 Tel: (+86) 10-6266-7326,
 Tel: (+86) 28-8519-2786,
 Tel: (+1) 949-639-9688,

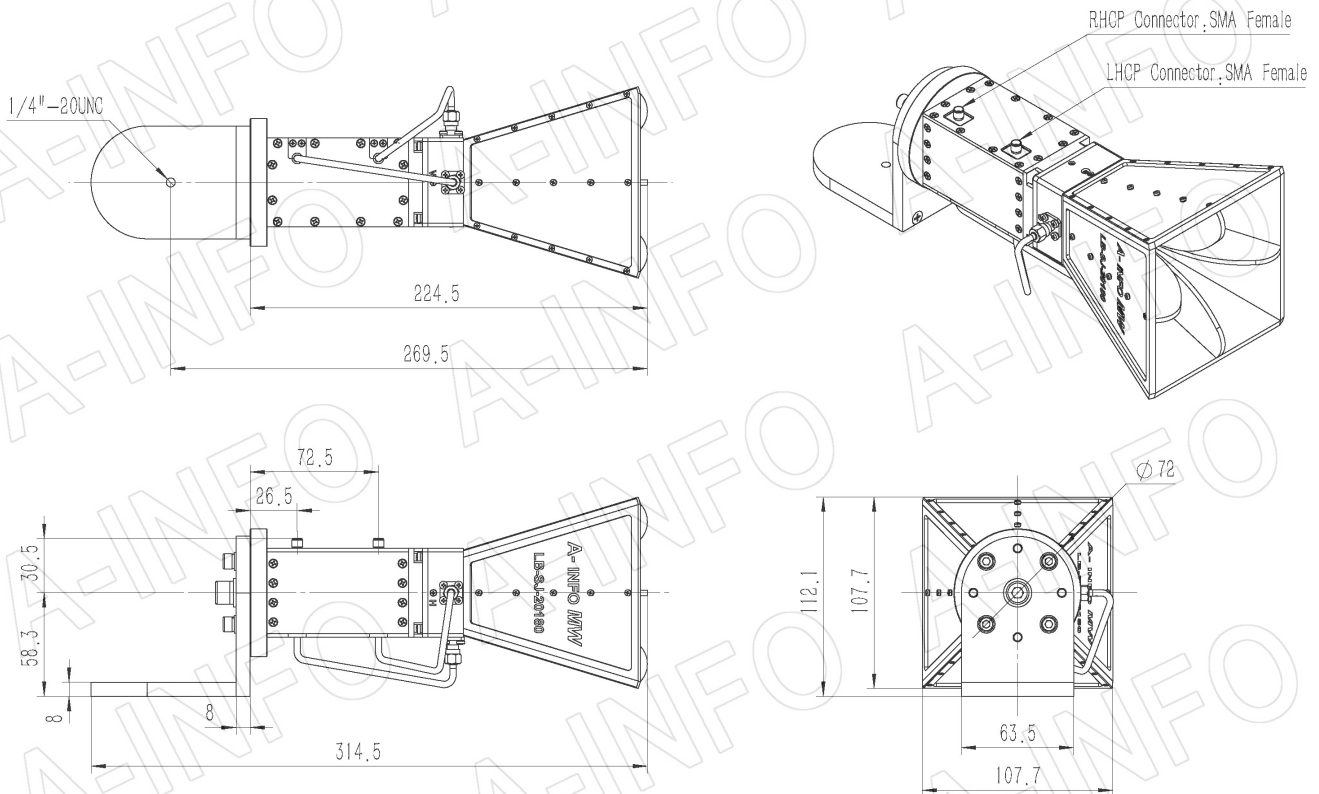
 (+86) 10-6266-7327
 (+86) 28-8519-3044
 (+1) 949-639-9608

Page 1 of 18

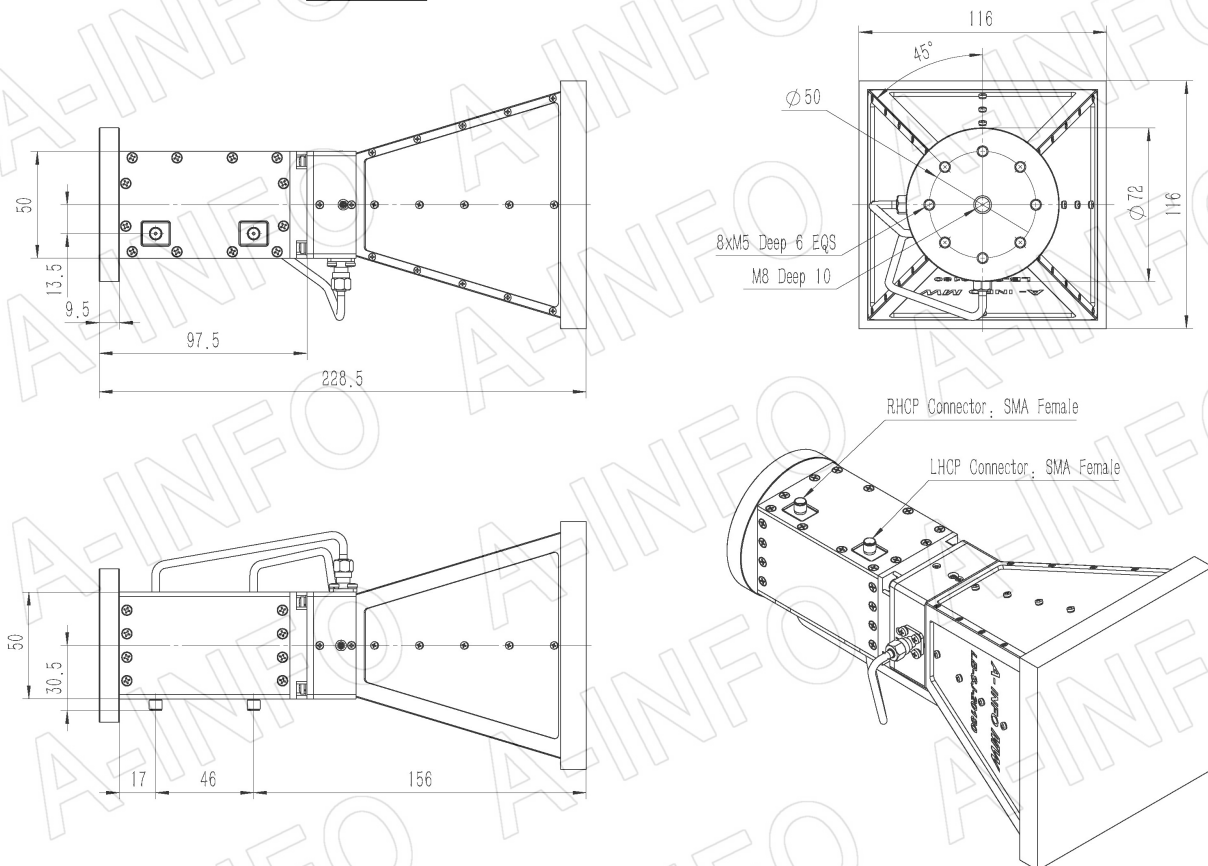
 Fax: (+86) 10-6266-7379
 Fax: (+86) 28-8519-3068
 Fax: (+1) 949-639-9670

 Website: www.ainfoinc.com
 Email: sales@ainfoinc.com

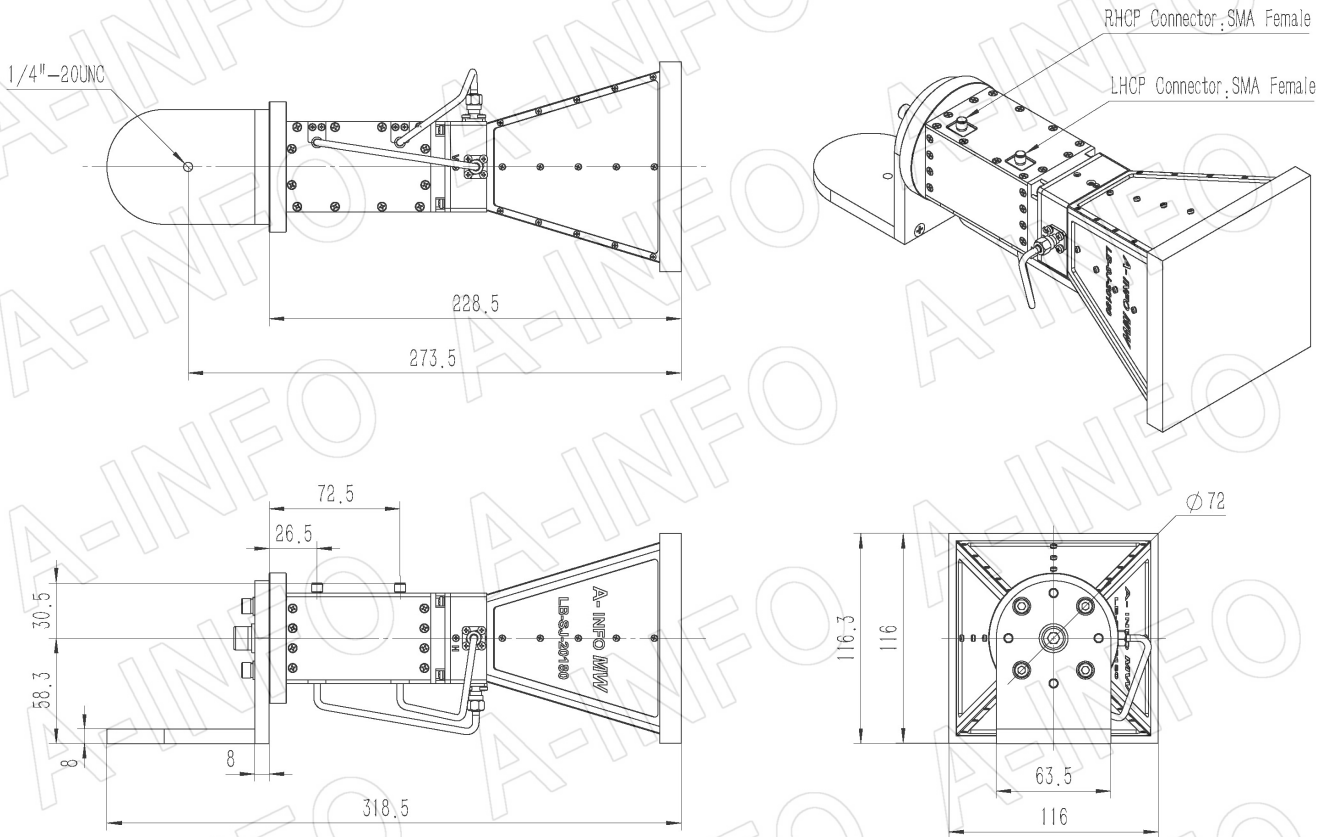
SMA-Female Output with L Type Mounting Bracket (Option, P/N: LB-10180-L)



SMA-Female Output with Radome (Option, P/N: LB-SJ-20180-P03SPO, Outdoor Application)

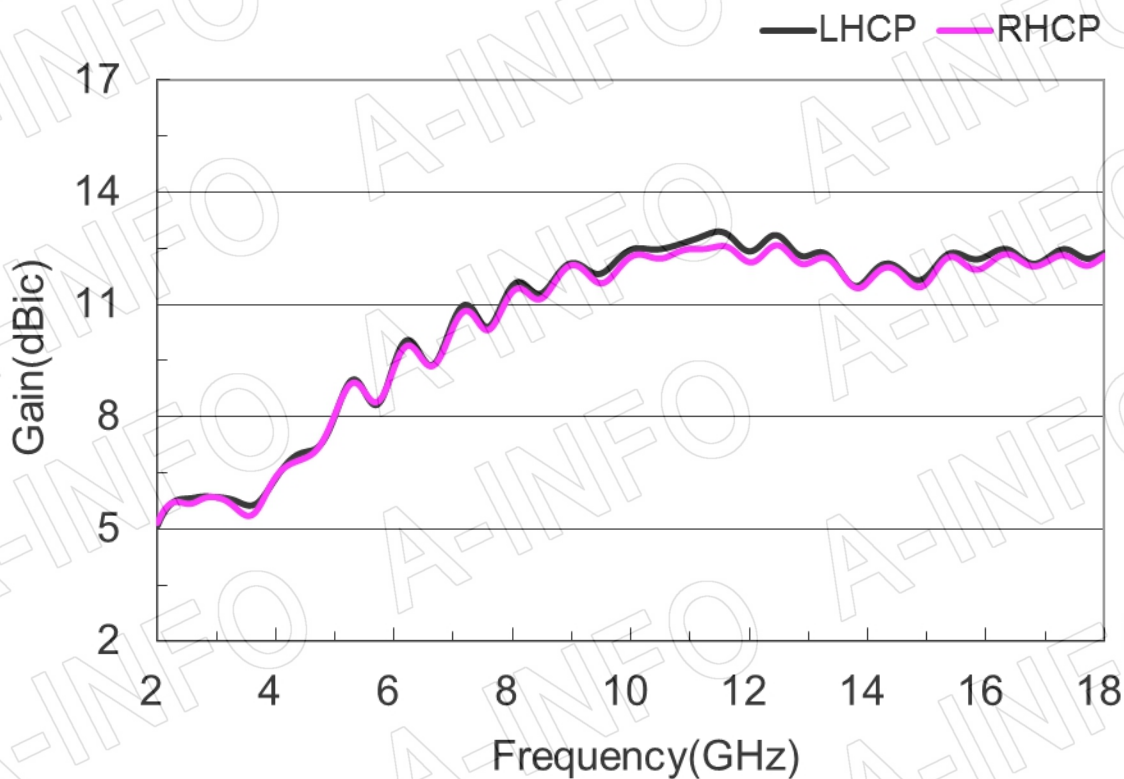


SMA-Female Output with L Type Mounting Bracket & Radome (Option, P/N: LB-10180-L & LB-SJ-20180-P03SPO, Outdoor Application)

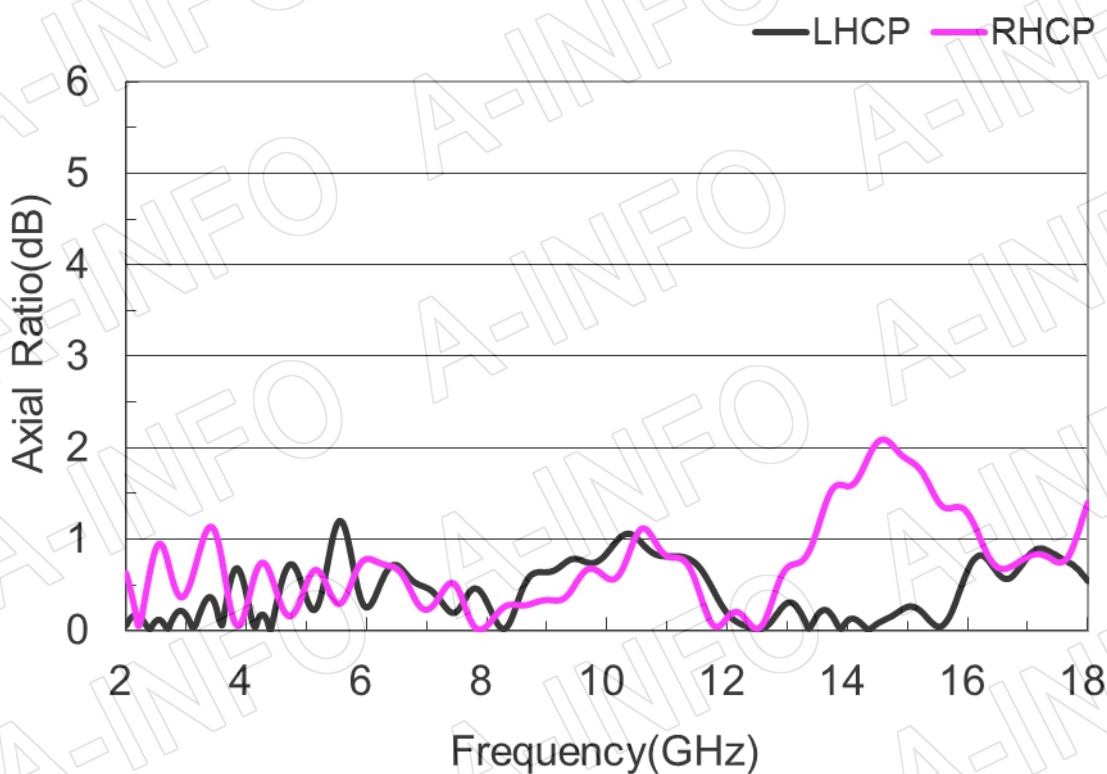


Test Results

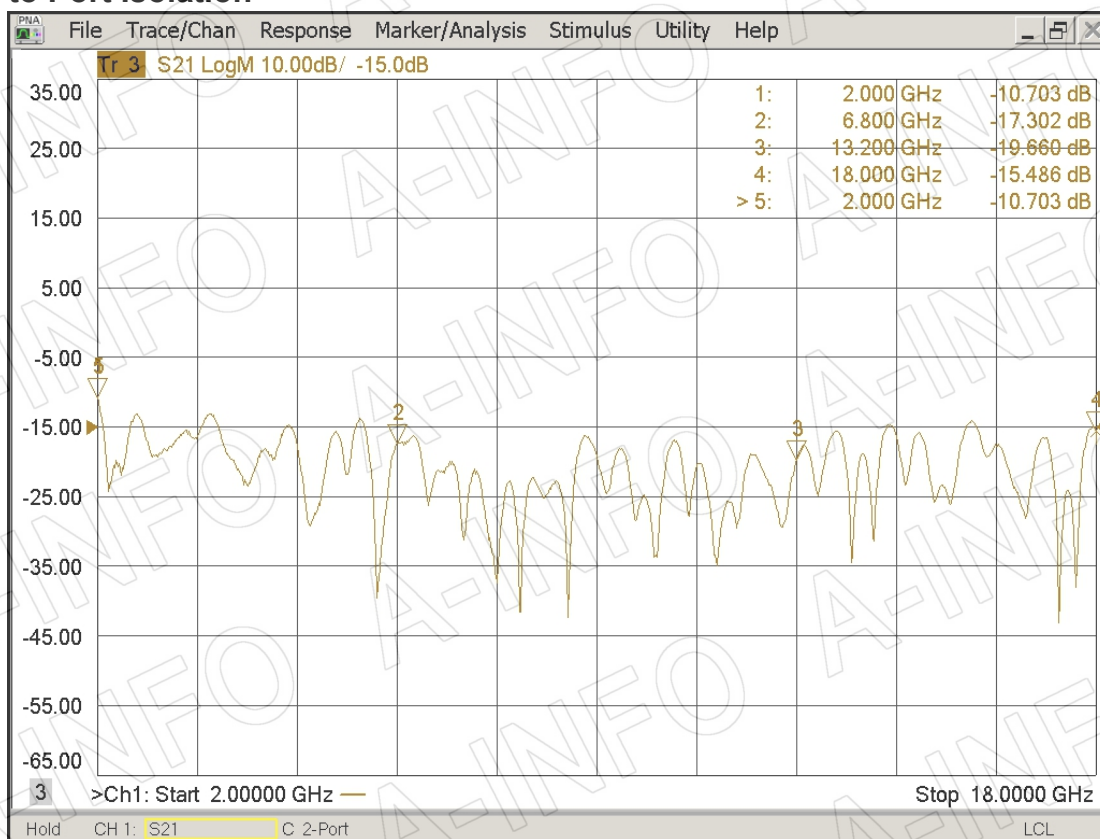
1. Gain



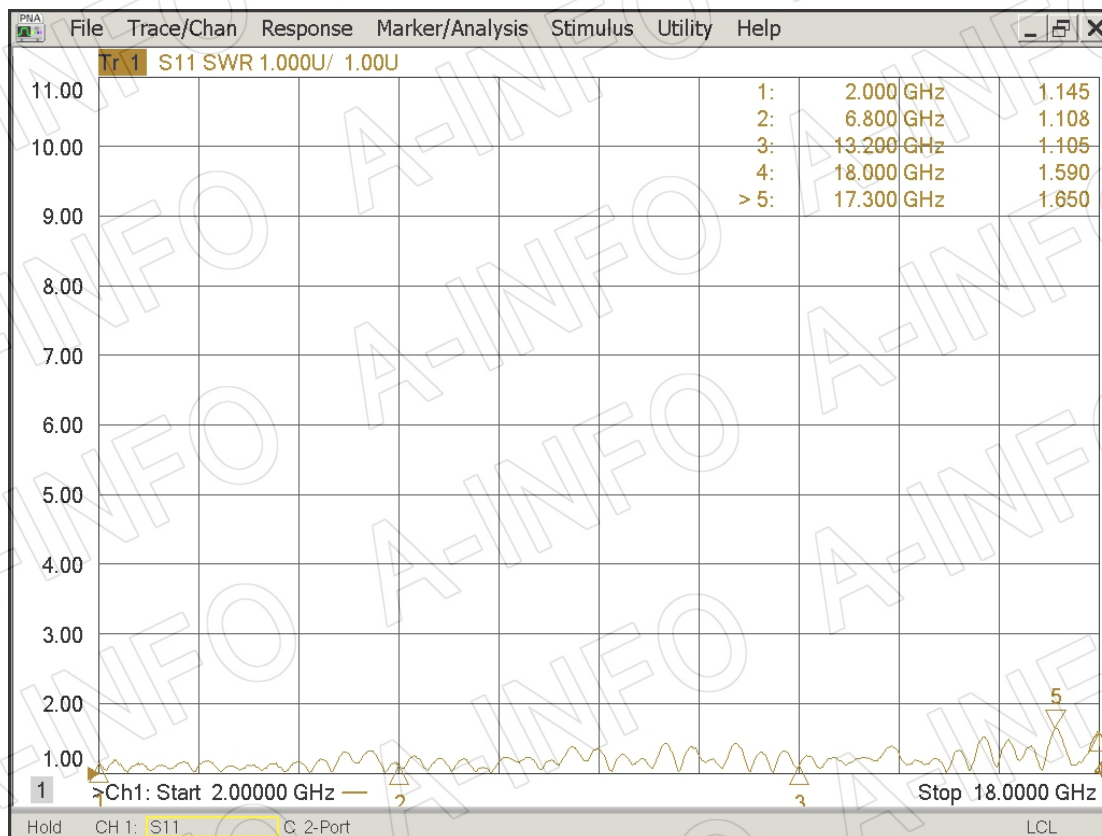
2. Axial Ratio



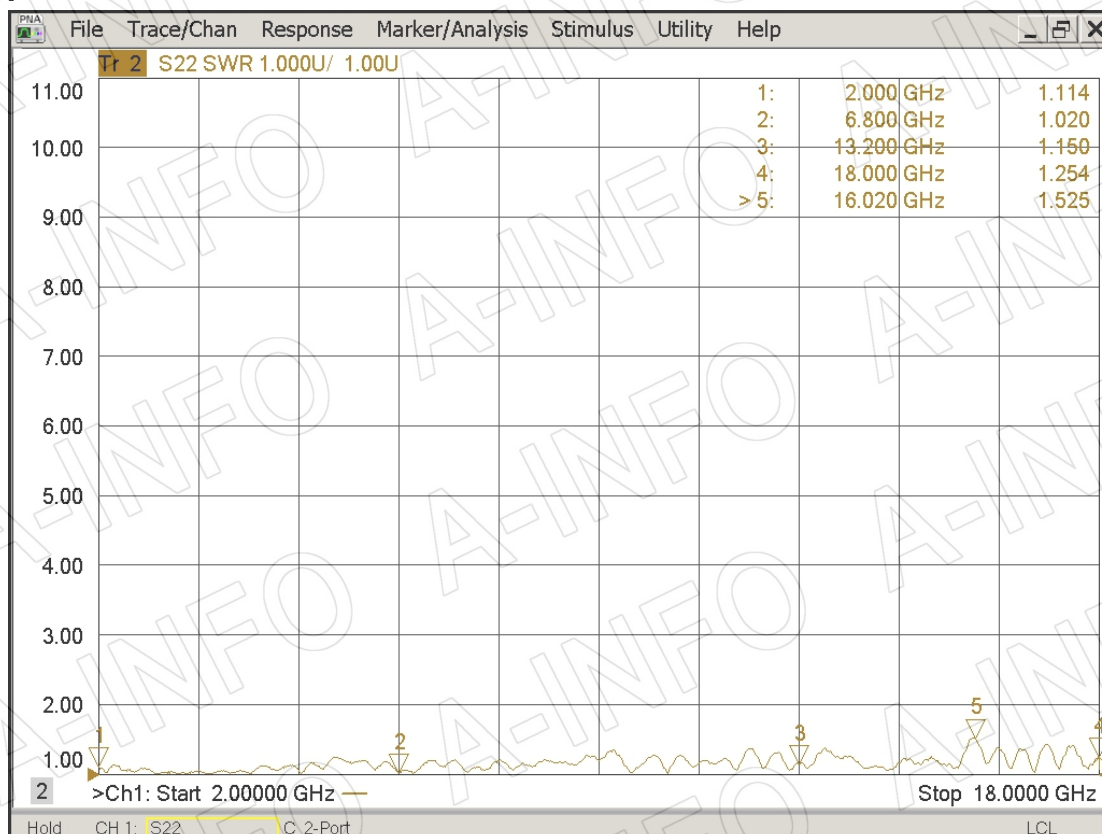
3. Port to Port Isolation



4. VSWR LHCP

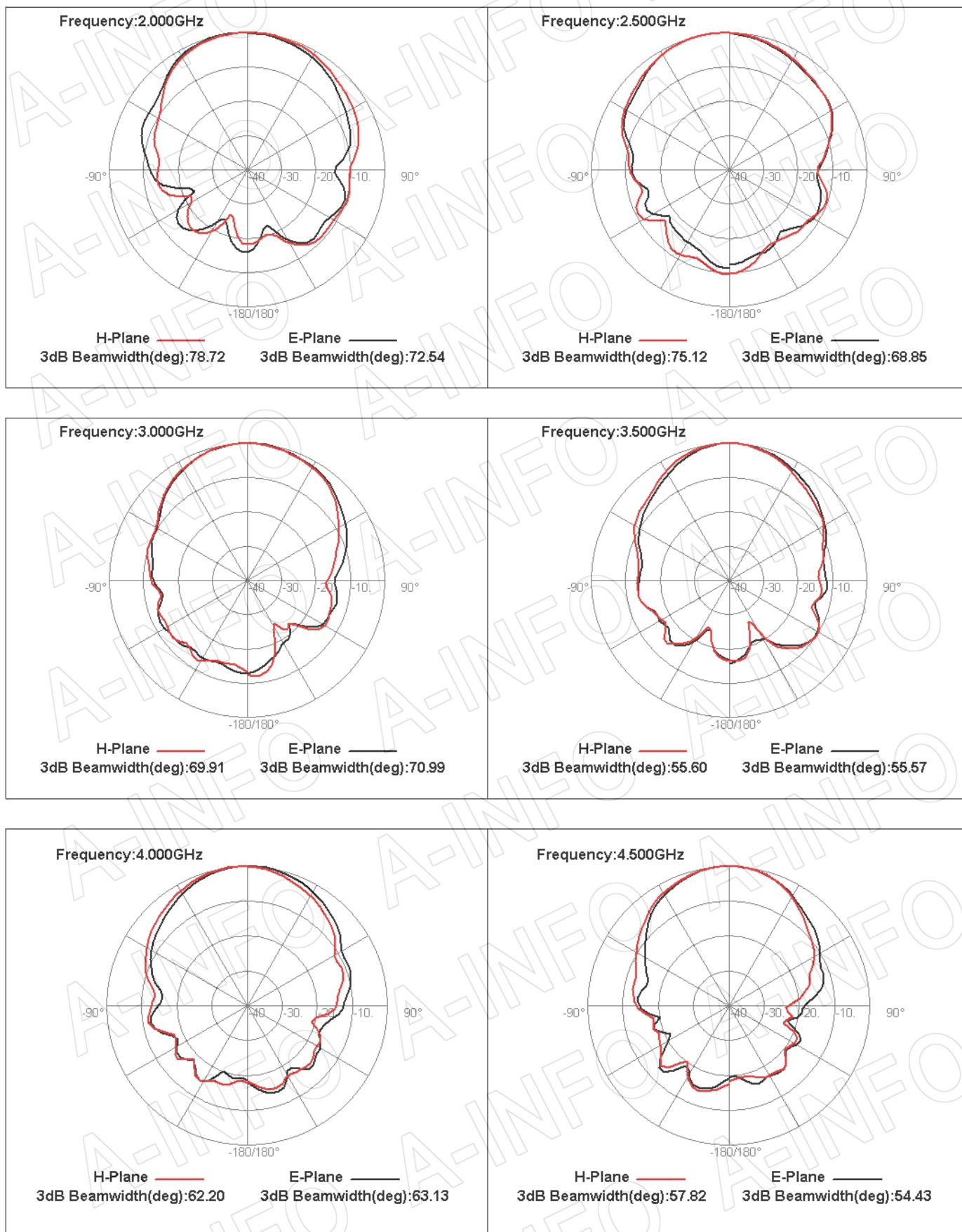


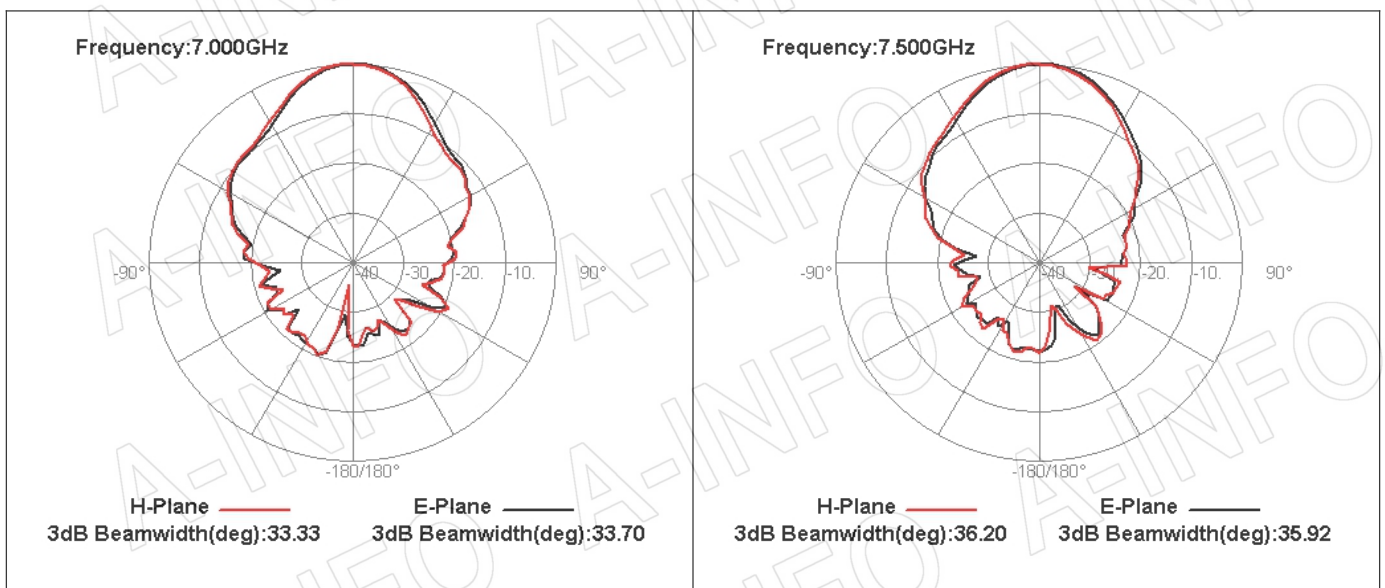
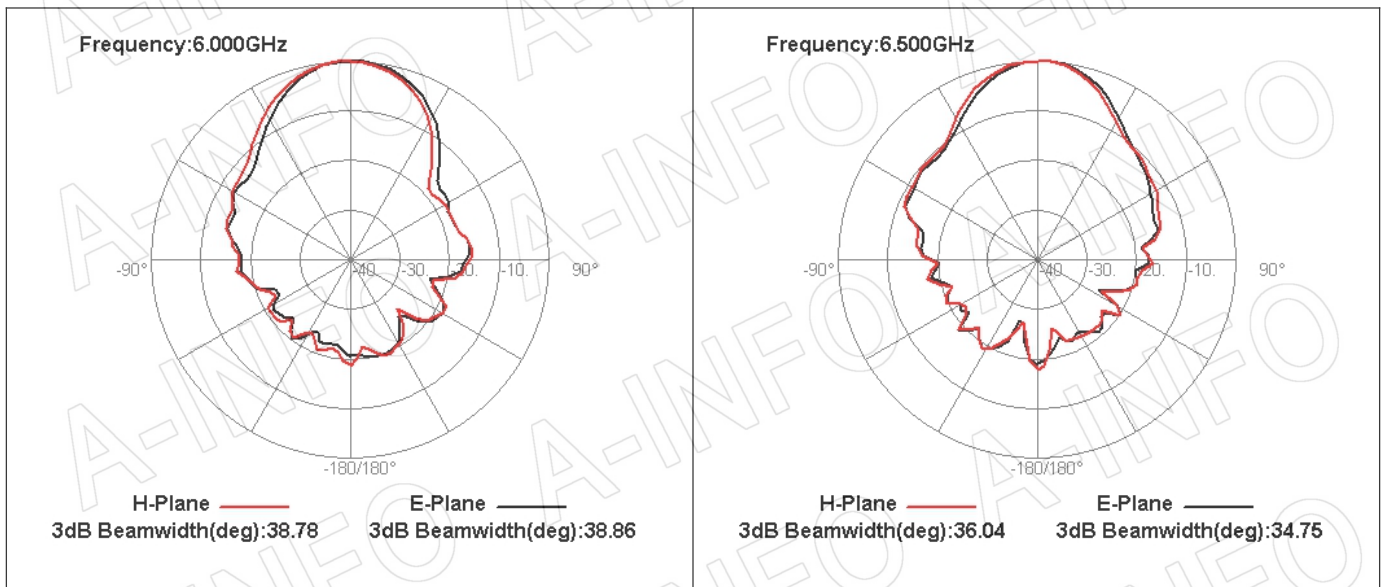
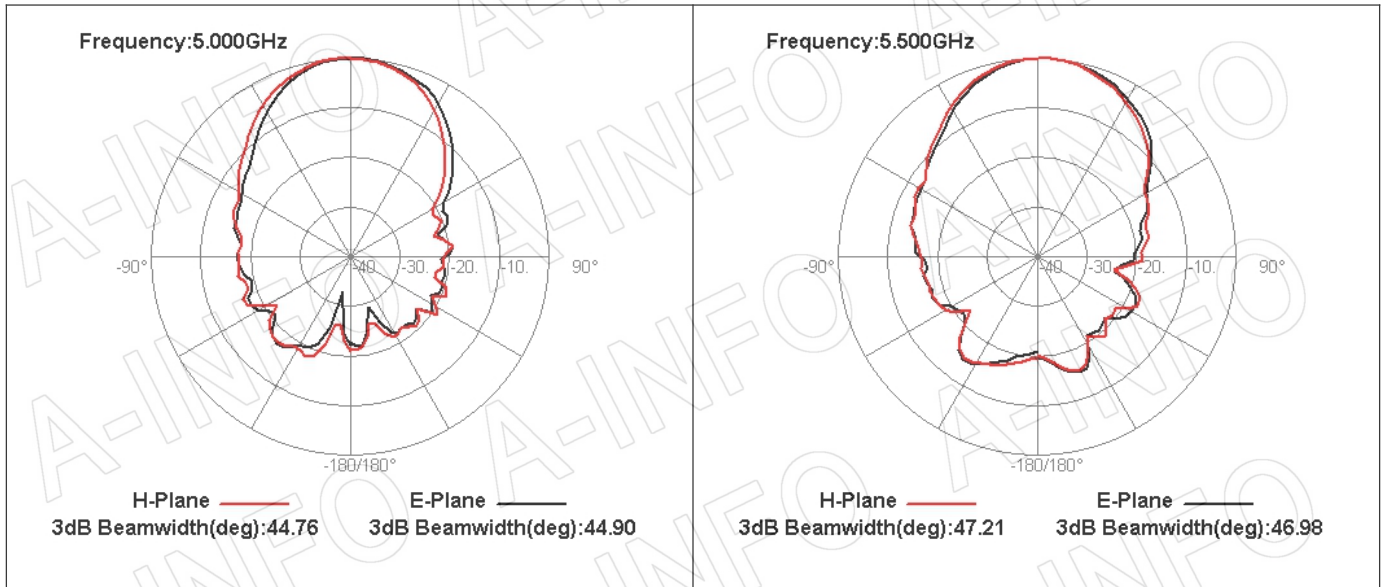
RHCP

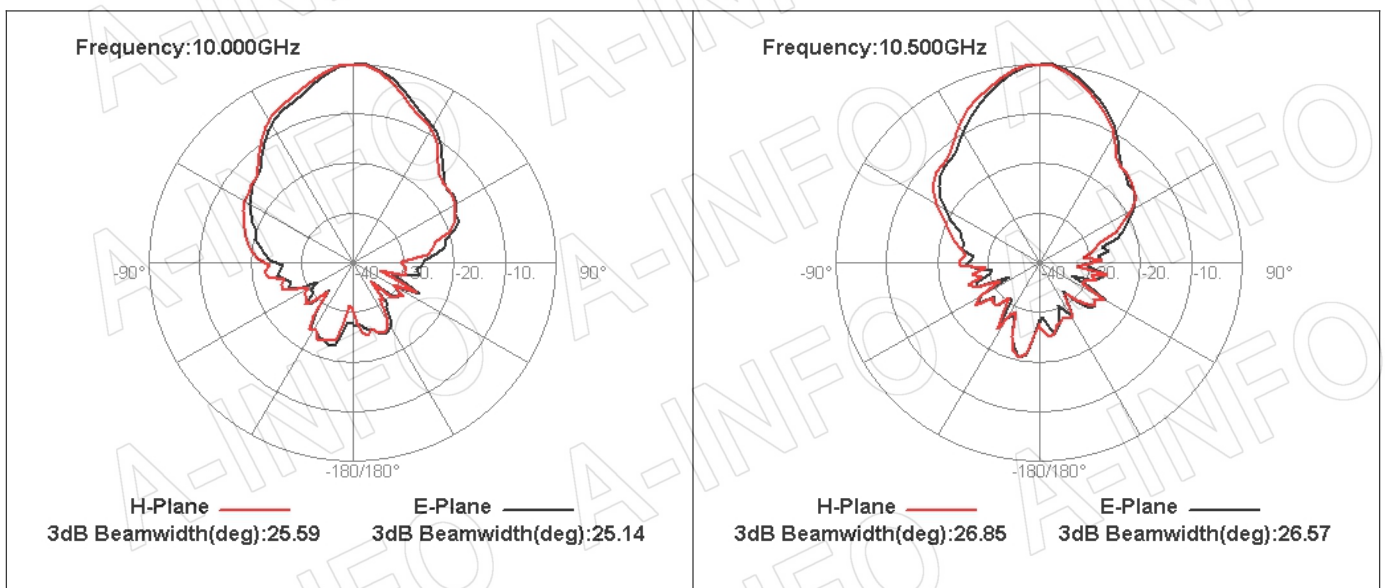
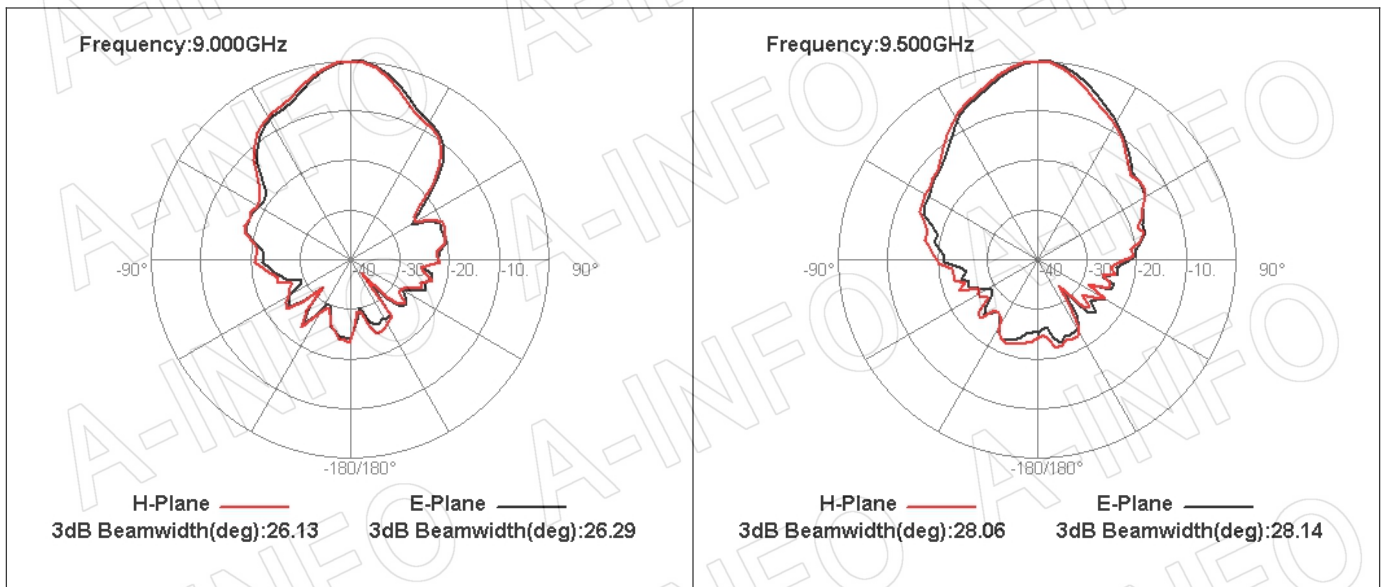
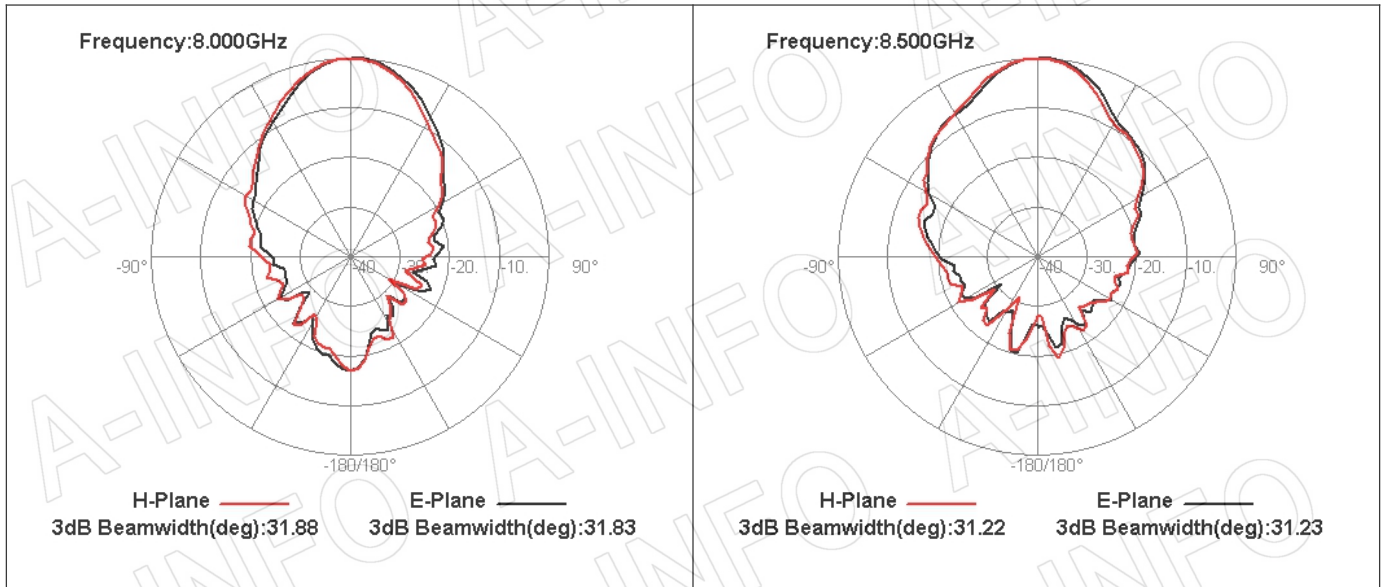


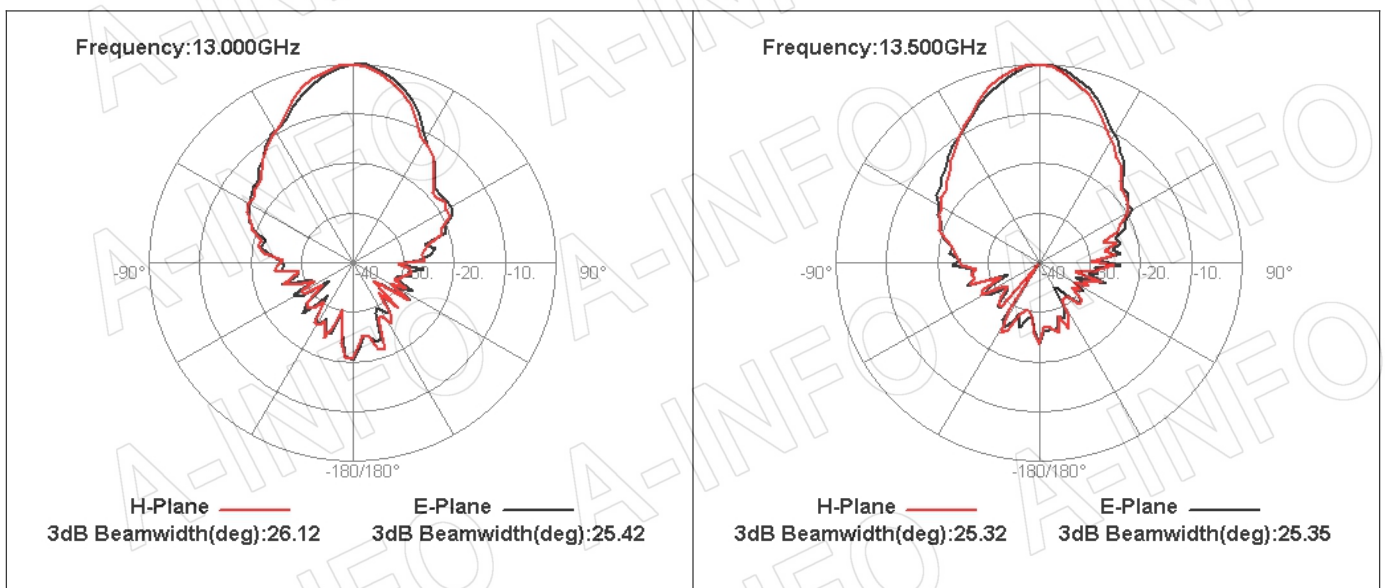
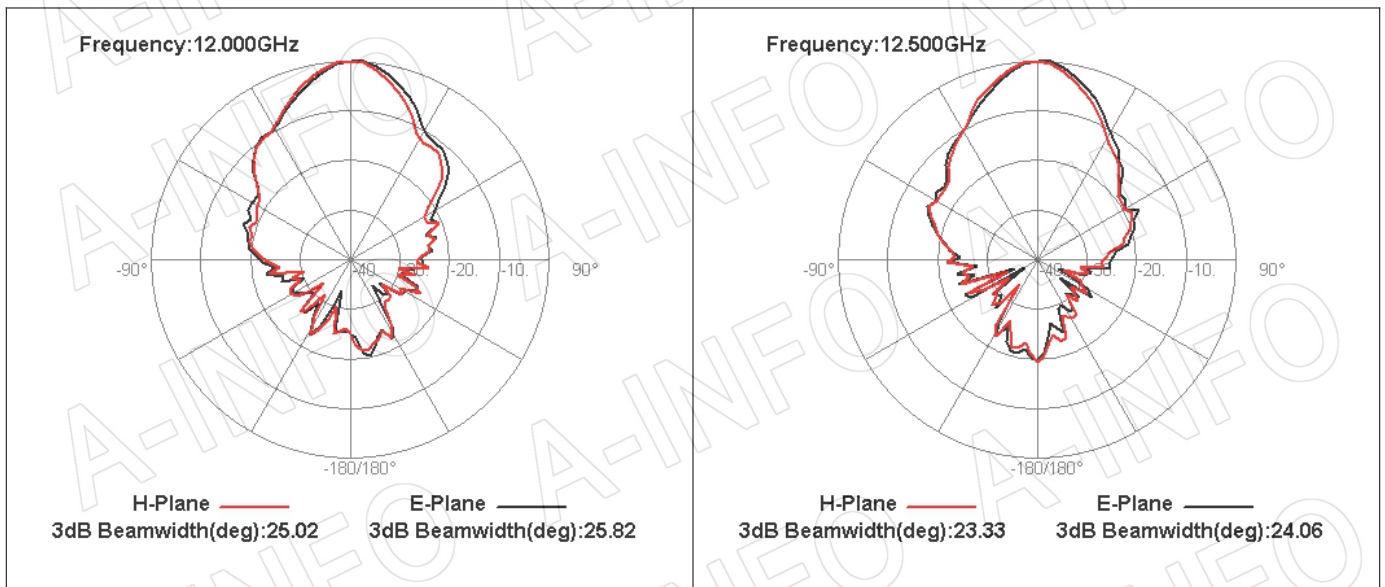
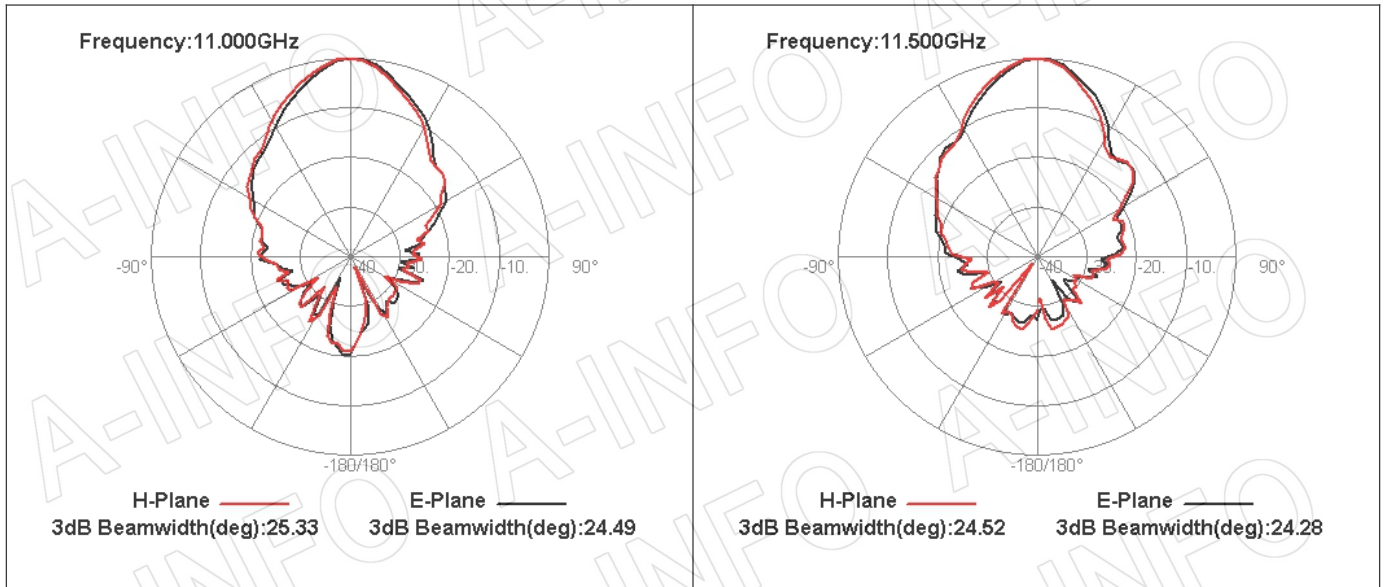
5. Pattern

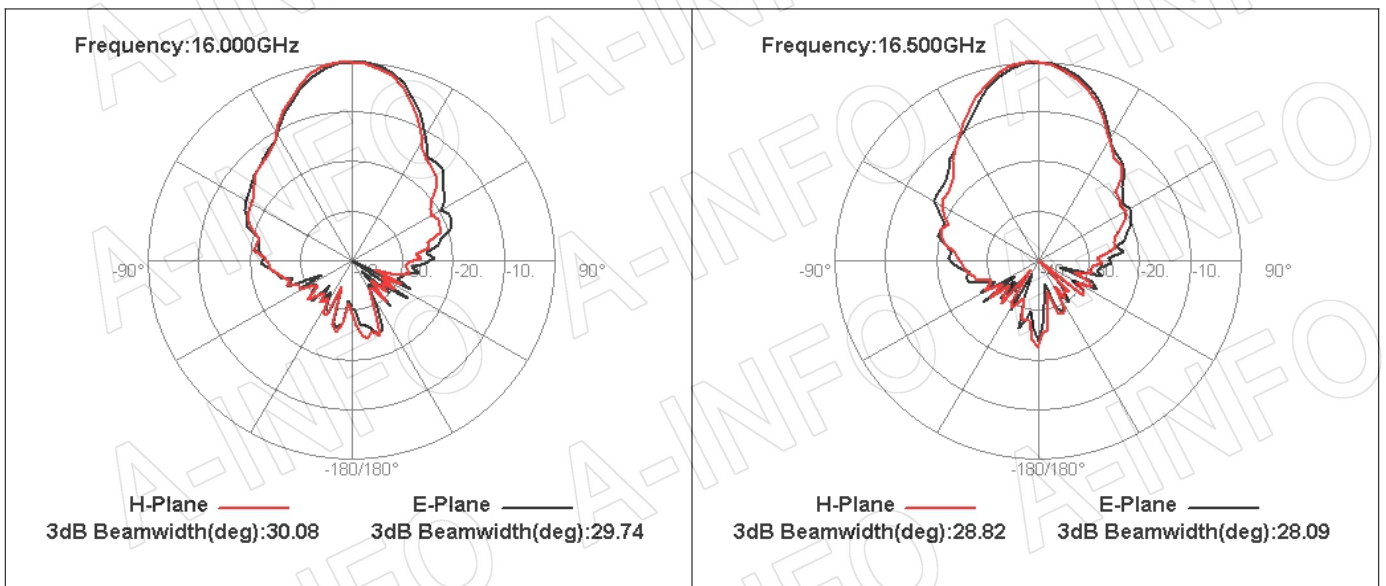
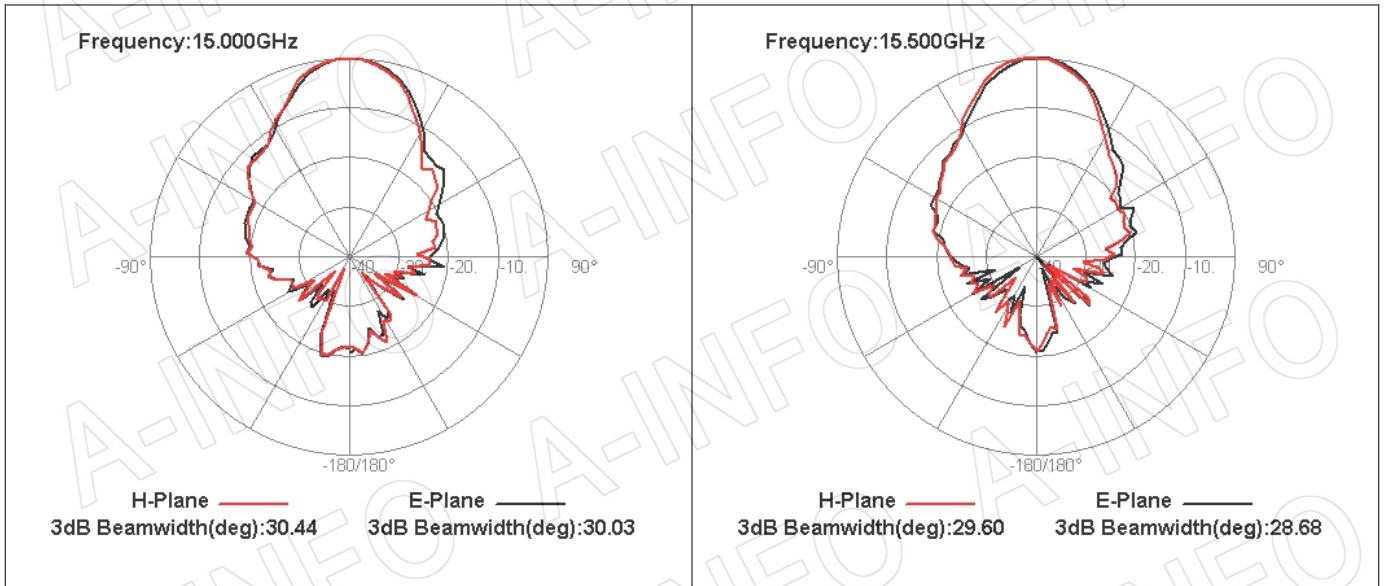
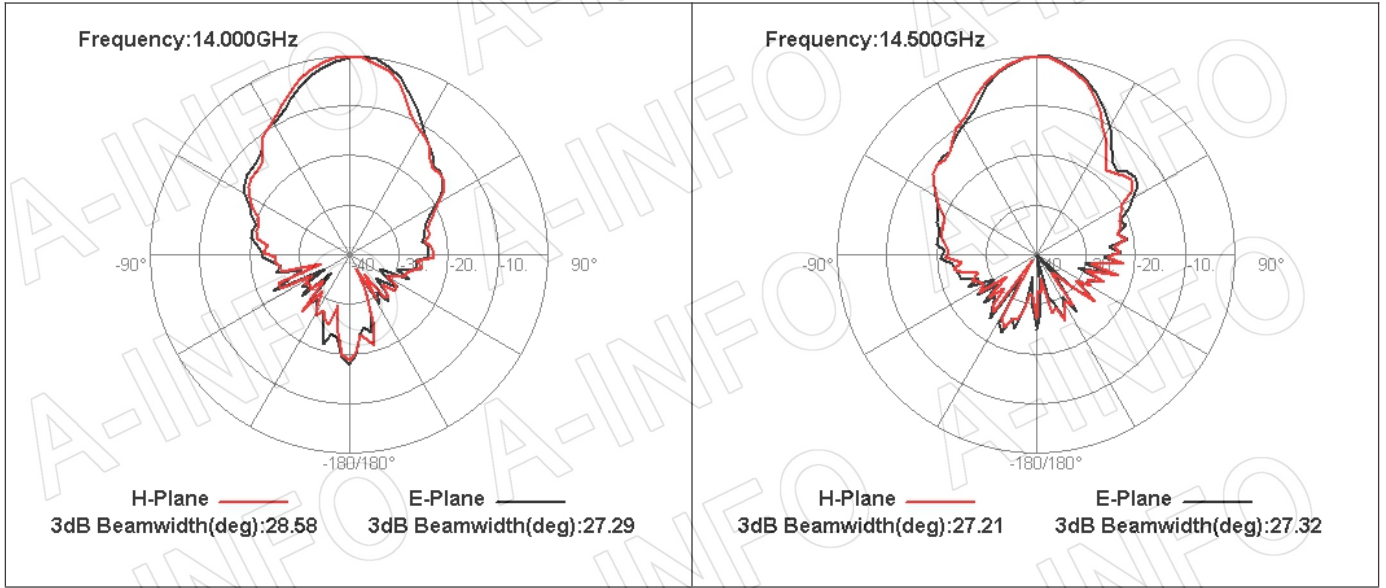
LHCP

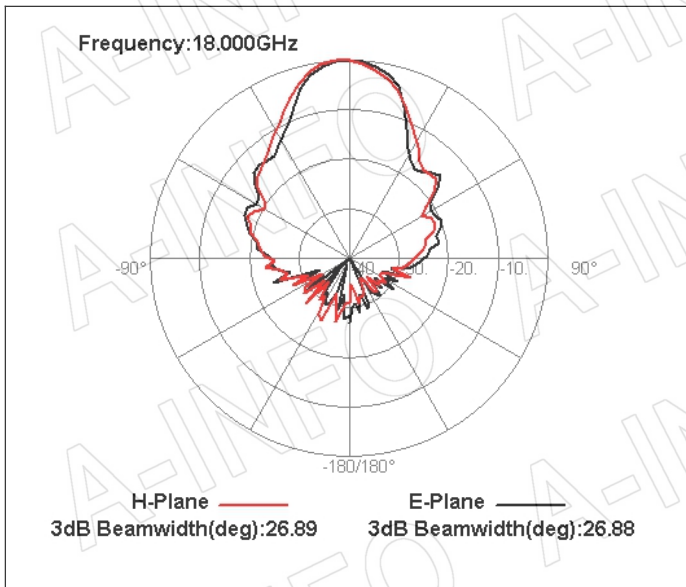
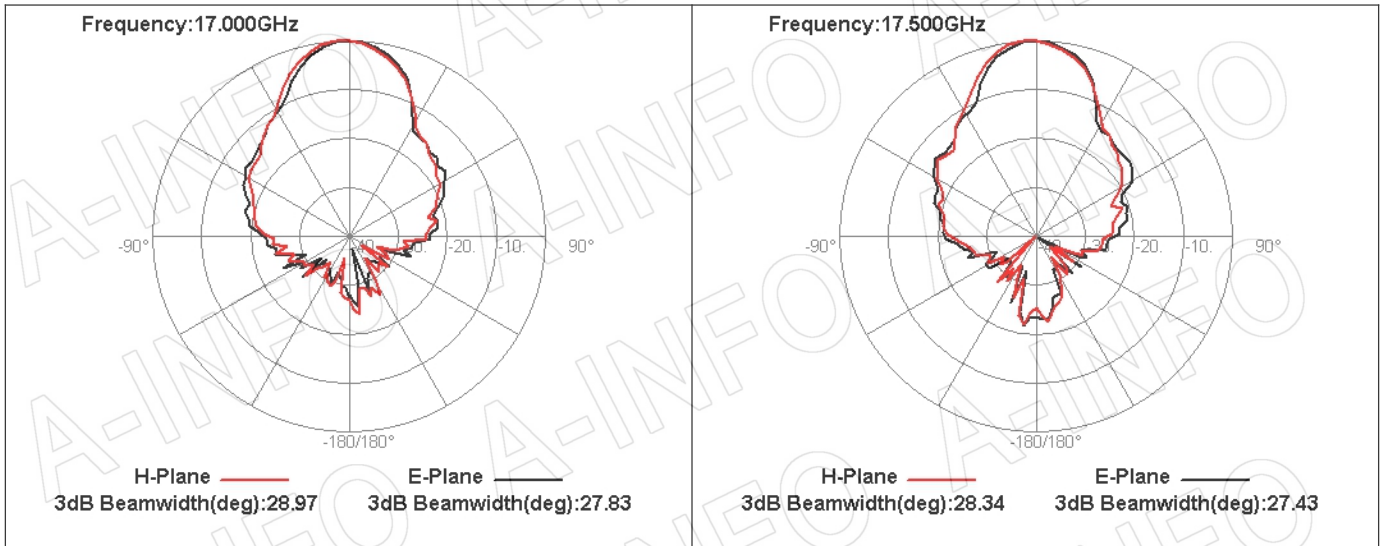












RHCP

